

PC-U6F-H0424-OR-005M

Description

Osilan's Cat6 Patch Cords are part of cat6 cable solutions that are flexible and cost-effective solutions that fully comply with category 6/Class E standards. Cat6 Patch cords are available in U/UTP, F/UTP shielded cable and with PVC or LSZH sheath, ideal for most of today's LAN network requirements and specifications with designs that support 350 MHz applications.

Features

- Category 6 F/UTP patch cord.
- LSZH Sheath.
- Wired to T568B wiring schemes.
- 4 Pairs, 24 AWG solid copper conductors.
- Supports IEEE 802.bt type 3,4 & PoE++ Standards.
- Each patch cord is 100% performance tested to component limits.

Application

- Suitable for all category 6 backbone and horizontal Cabling applications.
- 10 Base-T (Ethernet), 100 Base-T (Fast Ethernet), 1000 Base-T (Gigabit Ethernet).
- 155Mb/s ATM, 622Mb/s ATM, 1.2Gb/s ATM, Token Ring 4/16 & ISDN.

Standards

- ANSI/TIA-568-C.2 Category 6
- IEC 60603-7
- UL444
- ISO 11801 2nd Edition
- EN 50173-1
- UL1581
- IEC 619352
- EN 60332-1
- UL1666



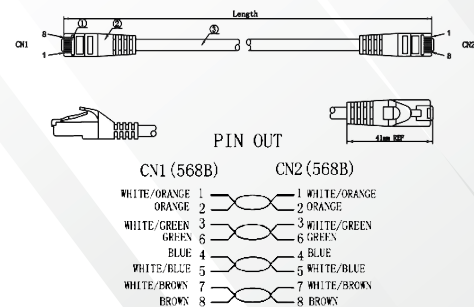
Technical Specifications

Central Element	Cross Section - Solid Polyethylene PE
Conductor	24AWG Stranded Bare Copper
Insulation	HDPE
Pairs	4 Twisted Pairs
Sheath	LSZH (LSZH IEC 60332-1 Sheath)
Outer Diameter	6.0mm (+/- 0.3mm)
Identification	Pair 1: White Blue / Blue Pair 2: White Orange / Orange Pair 3: White Green / Green Pair 4: White Brown / Brown
Connector	RJ45 8P8C including boot
Wiring Standards	T568B wiring
Temperature (Installation)	-30°C to +50°C
Temperature (Operation)	-20°C to +75°

Mechanical and Electrical Specification

Min Bend Radius	Operation: 23.2mm (4* Outer Diameter)
Standard Length	0.5m,1m,2m,3m,5m,7.5m,10m,15m,20m,30m
Mating Cycle	Minimum 750

Technical Drawings



CATEGORY 6 F/UTP PATCH CORDS, 24 AWG, LSZH

Part No.	Description
PC-U6F-H0424-OR-005M	Category 6 F/UTP Patch Cord, LSZH Sheath, 5 m, Orange

* More colours are available.