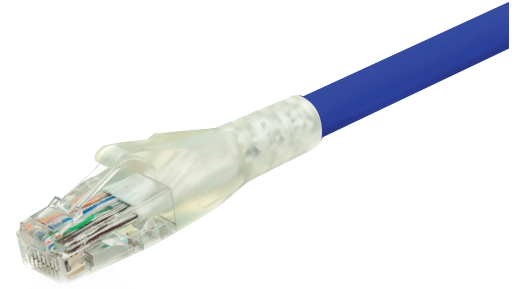


## PC-U6-H0424-BU-002M

### Description

Osilan's Cat6 Patch Cords are part of cat6 cable solutions that are flexible and cost-effective solutions that fully comply with category 6/ Class E standards. Cat6 Patch cords are available in U/UTP, F/UTP shielded cable and with PVC or LSZH sheath, ideal for most of today's LAN network requirements and specifications with designs that support 350 MHz applications.



### Features

- Category 6 U/UTP patch cord.
- LSZH Sheath.
- Wired to T568B wiring schemes.
- 4 Pairs, 24 AWG solid copper conductors.
- Supports IEEE 802.3bt type 3,4 & PoE++ Standards.
- Each patch cord is 100% performance tested to component limits.

### Application

- Suitable for all category 6 backbone and horizontal Cabling applications.
- 10 Base-T (Ethernet), 100 Base-T (Fast Ethernet), 1000 Base-T (Gigabit Ethernet).
- 155Mb/s ATM, 622Mb/s ATM, 1.2Gb/s ATM, Token Ring 4/16 & ISDN.

### Standards

|                                   |             |        |
|-----------------------------------|-------------|--------|
| ANSI/TIA-568-C.2 Category 6       | IEC 60603-7 | UL444  |
| ISO 11801 2 <sup>nd</sup> Edition | EN 50173-1  | UL1581 |
| IEC 619352                        | EN 60332-1  | UL1666 |

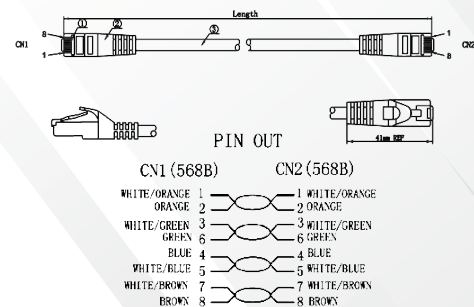
#### Technical Specifications

|                            |  |
|----------------------------|--|
| Central Element            | Cross Section - Solid Polyethylene PE  |
| Conductor                  | 24AWG Stranded Bare Copper   |
| Insulation                 | HDPE   |
| Pairs                      | 4 Twisted Pairs  |
| Sheath                     | LSZH (LSZH IEC 60332-1 Sheath)   |
| Outer Diameter             | 5.8mm (+/- 0.2)  |
| Identification             | Pair 1: White Blue / Blue<br>Pair 2: White Orange / Orange<br>Pair 3: White Green / Green<br>Pair 4: White Brown / Brown |
| Connector                  | RJ45 8P8C including boot   |
| Wiring Standards           | T568B wiring   |
| Temperature (Installation) | -30°C to +50°C   |
| Temperature (Operation)    | -20°C to +75°  |

#### Mechanical and Electrical Specification

|                 |  |
|-----------------|--|
| Min Bend Radius | Operation: 23.2mm (4* Outer Diameter ) |
| Standard Length | 0.5m,1m,2m,3m,5m,7.5m,10m,15m,20m,30m  |
| Mating Cycle    | Minimum 750                            |

### Technical Drawings



#### CATEGORY 6 U/UTP PATCH CORDS, 24 AWG, LSZH

| Part No.            | Description   |
|---------------------|---|
| PC-U6-H0424-BU-002M | Category 6 U/UTP Patch Cord, LSZH Sheath, 2 m, Blue |

\* More colours are available.